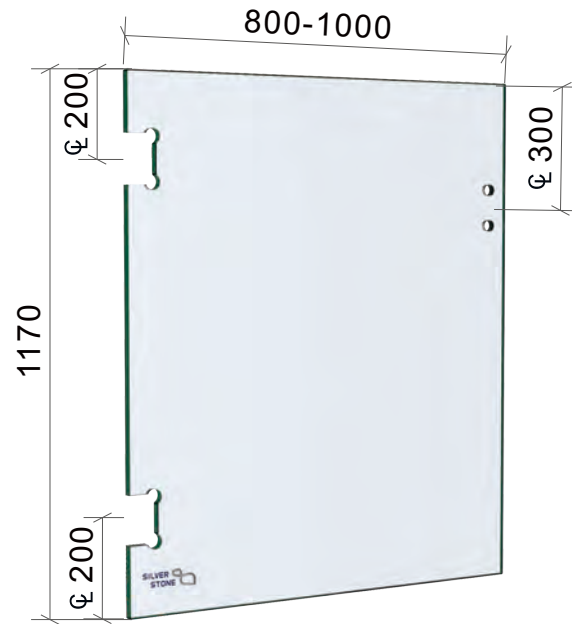
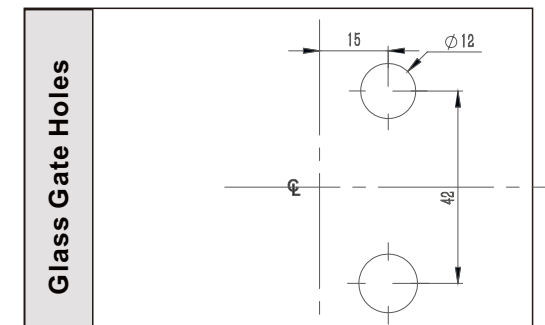
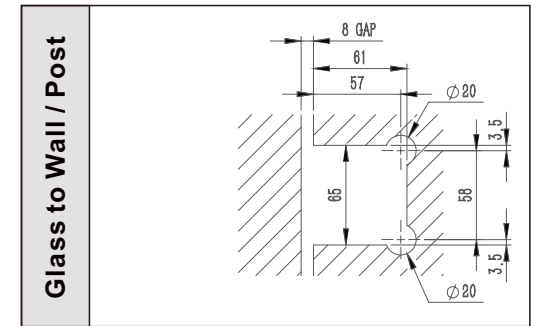
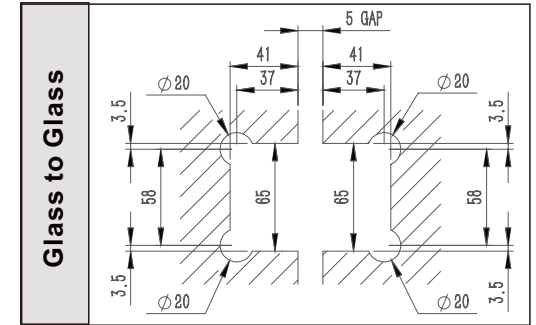


Drawing ID
C1170PH



Drawing ID
C1170PG



MATERIAL:
12mm Clear Toughened Glass

CATALOGUE AND DESCRIPTION:

- > Glass Products
- > Pool Fence Glass
- > C1170 Series Polaris Hinge & Gate

NOTES:
This drawing and or specification is the property of Silver Stone Hardware Pty Ltd - and must be returned to them on request. Unauthorised use may result in Legal Action. Its contents must not be made public, nor copied, nor used directly or indirectly in any way.

SILVER STONE HARDWARE PTY LTD
56-62 Bryant Street, Padstow, NSW 2211
T: (02) 9792 2955 M: 0452 526 680
www.silverstonehardware.com.au
sales@silverstonehardware.com.au